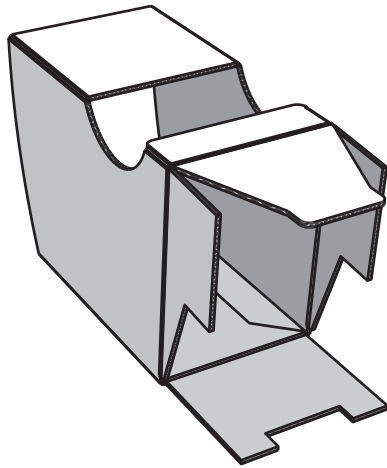
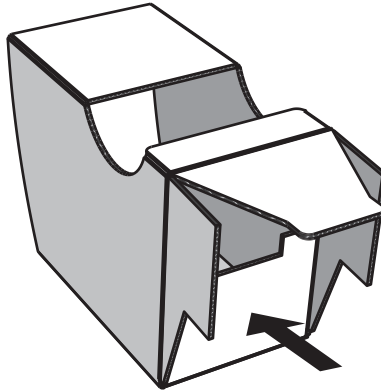


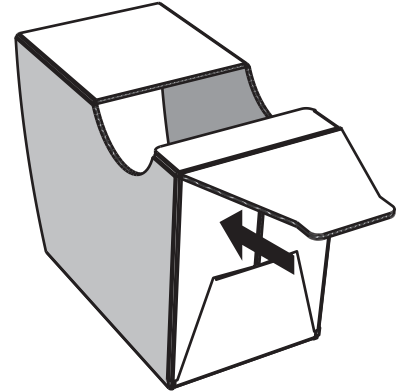
DUNKIN DONUTS DISPLAY ASSEMBLY



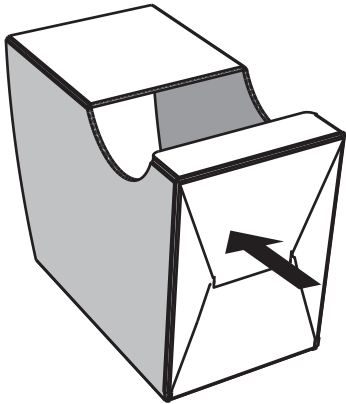
1. Square up display.



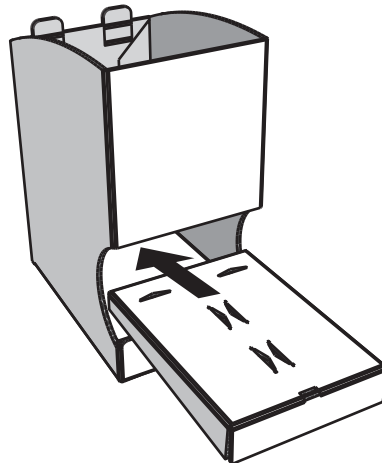
2. Fold up back flap.



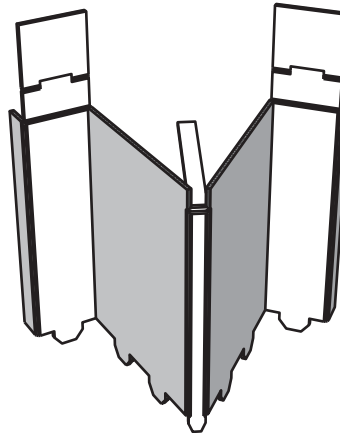
3. Fold in side flaps.



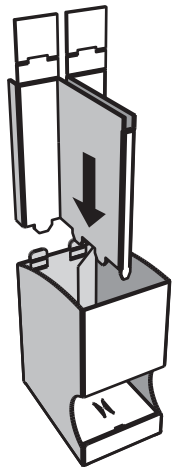
4. Fold in front flap and push it in until it goes through slot created by back and side flaps.



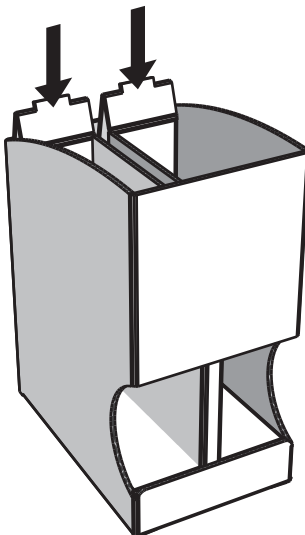
5. Fold down flaps on edges of platform and slide platform into display.



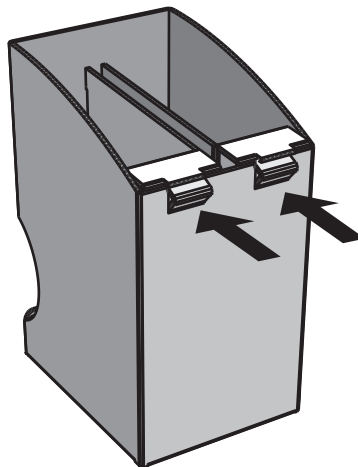
6. Fold up divider as shown above.



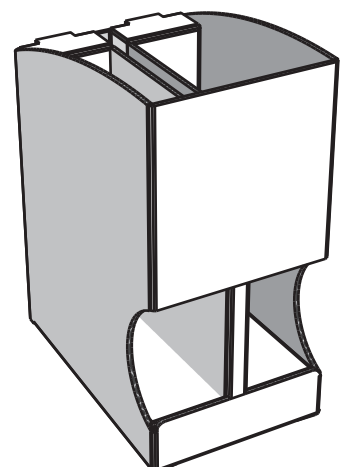
7. Slide divider down into display.



8. Fold down flaps at back of divider.



9. Push tabs on back of display into slots at top of divider.



10. Assembly complete.